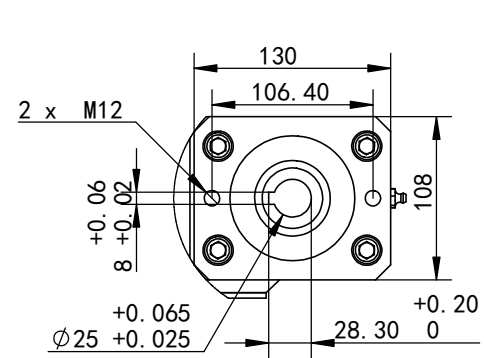
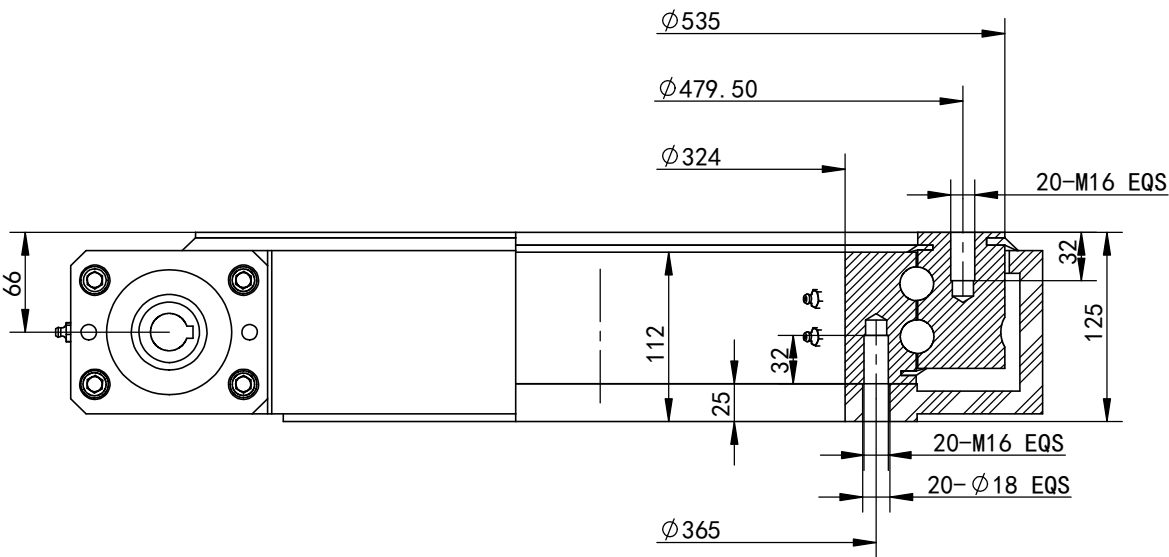
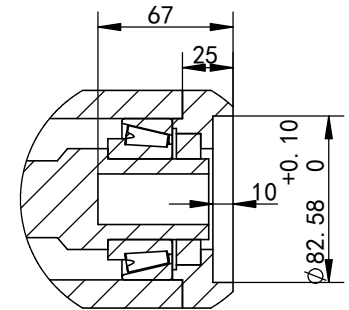



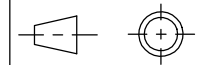
M	5
Z1	1
Z2	104
i	104.0
材质: 42CrMo Q+T	

输入端



输入端



REV	DATE	REVISER	DESCRIPTION			
DESIGNED BY	Lee	22.08.25	 不二传动设备 (洛阳) 有限公司 www.U-Transmission.com	Title: 回转式减速器 Model No.: WZ-III-0419-25-1-104.0 -E-xxxx-A		
CHECKED BY	Bailey	22.08.25				
APPROVED BY	Lane	22.08.25				
DRAWING REV	NO.	REV.A	WEIGHT	160kg		
NON-STANDARD	NO.	xxxx	SACLE	1:3		
SYMBOLS ISO			SIZE	A3		
			SHEET	1/1		